

Model	<b>WT1000 (Non-Repairable)</b>
Sizes	<b>1/2", 3/4"</b>
Connections	<b>NPT</b>
Body Material	<b>Stainless Steel</b>
PMO Max. Operating Pressure	<b>300 PSIG</b>
TMO Max. Operating Temperature	<b>Saturated Steam Temperature</b>
PMA Max. Allowable Pressure	<b>1032 PSIG @ 100°F</b>
TMA Max. Allowable Temperature	<b>750°F @ 800 PSIG</b>



### Typical Applications

**DRIP, TRACING:** The **WT1000** is a low capacity thermostatic trap ideally sized for steam tracing. Thermostatic traps are small, light weight and have excellent air discharging capabilities. Discharging air at start-up allows steam to quickly enter the system. Trap body is permanently seal welded together and therefore non-repairable. Contains an extremely strong and rugged precision welded Stainless Steel thermal element. Its small discharge orifice, which makes it an optimal size trap for both drip and tracing applications, is susceptible to clogging depending on system conditions, therefore, a separate strainer should be installed.

### How It Works

This thermostatic trap contains a welded stainless steel thermal element that expands when heated and contracts when cooled to 5°F below saturated steam temperature. When air or sub-cooled condensate are present, the trap is in the open discharge position. When steam reaches the trap, the element expands and closes off tightly.

### Features

- Excellent at discharging air which allows steam to enter system quickly; extremely important during start-up
- Welded stainless steel thermal element resists shock from water hammer
- Freeze-proof when trap is installed in a vertical orientation allowing for complete condensate drainage
- Stainless steel Barstock body
- In the unlikely event of bellows failure; trap discharge remains open

### Installation & Maintenance

Trap can be installed in any orientation. The WT1000 steam trap body is seal-welded and therefore non-repairable. If a new trap is required, remove from line and replace. This product cannot be welded in-line or failure of the thermal element due to excess heat may occur. Available in NPT threaded connections only.

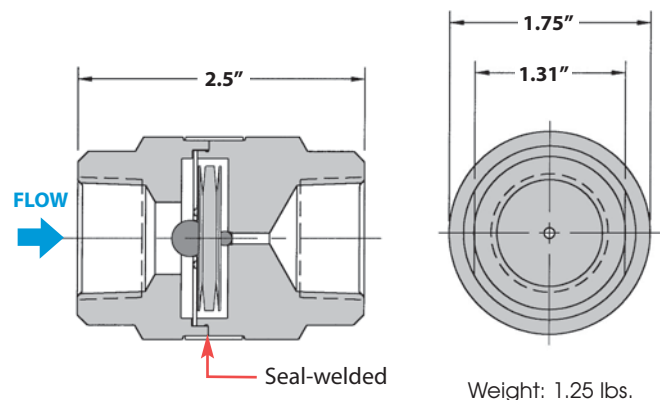
### Sample Specification

The steam trap shall be of thermostatic type with stainless steel body and stainless steel thermal element.

### MATERIALS

Trap Housing	Stainless Steel, AISI 304L
Thermal Element	Stainless Steel, 300 Series
Valve	Stainless Steel, AISI 440C

### DIMENSIONS – inches



### CAPACITIES – Condensate (lbs/hr)

Size	Model Code	Steam Inlet Pressure (PSIG)									
		5	10	20	50	100	125	150	200	250	300
1/2"	WT1000-12-N	95	140	195	305	435	485	530	610	685	750
3/4"	WT1000-13-N										