

### Stainless Steel



Model	<b>WSSCV</b>
Sizes	<b>1/2", 3/4", 1", 1 1/4", 1 1/2", 2", 3"</b>
Connections	<b>NPT, SW</b>
Body Material	<b>316 Stainless Steel</b>
PMO Max. Operating Pressure	<b>500 PSIG</b>
PMA Max. Allowable Pressure	<b>750°F PSIG @ 100°F</b>
TMA Max. Allowable Temperature	<b>850°F @ 420 PSIG</b>

**Note:** WSSCV with 1/4 PSI cracking pressure is required for all mechanical pump applications. The 5 PSIG cracking pressure version is also available. See model code chart.

### Typical Applications

The Model **WSSCV** is an all stainless steel in-line check valve for steam, gas, or liquid service. It provides tight shut-off, minimizes water hammer and also stops recycling of pumps by preventing back flow of liquid. Used in the petrochemical, pulp & paper, textile and food & beverage industries. The WSSCV all stainless steel check valves will operate much longer and are less problematic than bronze or cast iron check valves.

### Features & Options

- 316 Stainless Steel Body and Internals
- Low cracking pressure on spring (1/4 PSI) to minimize resistance and maximize flow.
- Available with optional 5 PSI cracking pressure (must specify at time of order)
- Available with NPT, SW, or optional Flanged connections
- Spring made from Inconel-X-750 to handle extreme temperature as well as corrosive applications
- Body is seam-welded to eliminate O-rings or gasket seals which can be affected by high temperature steam or hot condensate
- Spring assisted closing of check valve to minimize noise and wear

### Sample Specification

Check valve shall have a 316 stainless steel body and disc. Spring shall be made from Inconel-X-750. Check valve body to be seam welded together to eliminate need for O-ring or gasket.

### MATERIALS

Body	316 Stainless Steel
Disc	316 Stainless Steel
Spring	Inconel-X-750

### NPT

Size/Connection NPT	Model Code	Cracking Pressure* PSI	Weight lbs
1/2"	<b>WSSCV-12-N-0</b>	0.25	1.0
3/4"	<b>WSSCV-13-N-0</b>	0.25	1.5
1"	<b>WSSCV-14-N-0</b>	0.25	2.3
1 1/4"	<b>WSSCV-15-N-0</b>	0.25	3.5
1 1/2"	<b>WSSCV-16-N-0</b>	0.25	5.3
1 1/2"	<b>WSSCVQF-16-N-0†</b>	0.00	5.3
2"	<b>WSSCV-17-N-0</b>	0.25	8.5
3"	<b>WSSCV-19-N-0</b>	0.25	21
1/2"	<b>WSSCV-12-N-5</b>	5.0	1.0
3/4"	<b>WSSCV-13-N-5</b>	5.0	1.5
1"	<b>WSSCV-14-N-5</b>	5.0	2.3
1 1/4"	<b>WSSCV-15-N-5</b>	5.0	3.5
1 1/2"	<b>WSSCV-16-N-5</b>	5.0	5.3
2"	<b>WSSCV-17-N-5</b>	5.0	8.5
3"	<b>WSSCV-19-N-5</b>	5.0	21

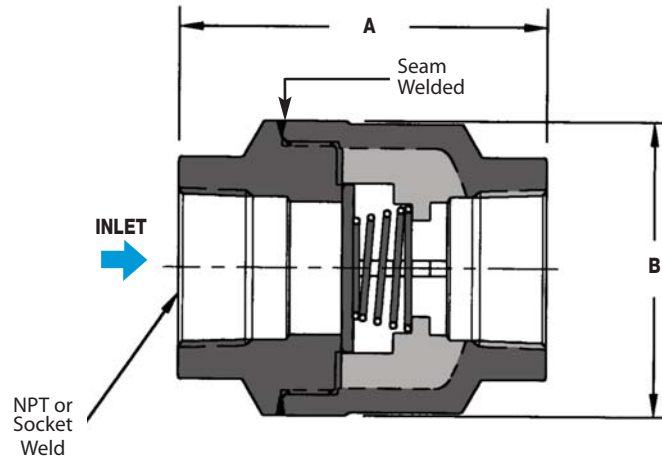
### Socket Weld

Size/Connection SW	Model Code	Cracking Pressure* PSI	Weight lbs
1/2"	<b>WSSCV-12-SW-0</b>	0.25	1.0
3/4"	<b>WSSCV-13-SW-0</b>	0.25	1.5
1"	<b>WSSCV-14-SW-0</b>	0.25	2.3
1 1/4"	<b>WSSCV-15-SW-0</b>	0.25	3.5
1 1/2"	<b>WSSCV-16-SW-0</b>	0.25	5.3
2"	<b>WSSCV-17-SW-0</b>	0.25	8.5
3"	<b>WSSCV-19-SW-0</b>	0.25	21
1/2"	<b>WSSCV-12-SW-5</b>	5.0	1.0
3/4"	<b>WSSCV-13-SW-5</b>	5.0	1.5
1"	<b>WSSCV-14-SW-5</b>	5.0	2.3
1 1/4"	<b>WSSCV-15-SW-5</b>	5.0	3.5
1 1/2"	<b>WSSCV-16-SW-5</b>	5.0	5.3
2"	<b>WSSCV-17-SW-5</b>	5.0	8.5
3"	<b>WSSCV-19-SW-5</b>	5.0	21

\* Differential Pressure at which valve opens and flow occurs.

† WSSCVQF is a special design check valve for use on the inlet side of the PMPT & PMPNT Pumps. It is center-guided and contains no spring. Used for increasing fill rate of pump.

Stainless Steel



DIMENSIONS & SPECIFICATIONS – inches							
Size	1/2"	3/4"	1"	1 1/4"	1 1/2"	2"	3"
MODEL CODE	WSSCV-12	WSSCV-13	WSSCV-14	WSSCV-15	WSSCV-16	WSSCV-17	WSSCV-19
A	2.69	3.00	3.32	3.81	4.75	5.03	6.87
B	1.62	2.12	2.56	3.06	3.44	4.38	6.19
Weight (lbs)	1.1	1.5	1.9	3.8	4.7	7.7	18.8
Standard Cracking Pressure*	0.25	0.25	0.25	0.25	0.25	0.25	0.25
Optional Cracking Pressure*	5.0	5.0	5.0	5.0	5.0	5.0	5.0
Cv	7	13	22	39	54	93	180

\* Note: Differential Pressure at which valve opens and flow occurs (PSI).

### WSSCV Check Valve Construction

