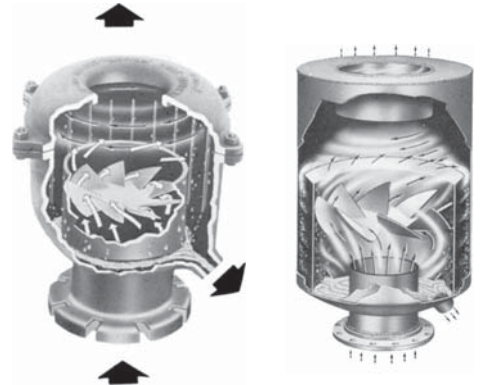


Cast Iron, Carbon Steel & Stainless Steel

Model	EHC	EHF	EHFSS
Sizes	1", 1 1/2", 2", 2 1/2", 3", 4", 5", 6", 8", 10"	2, 2 1/2", 3", 4", 5", 6", 8", 10"	
Connections	NPT, 125# FLG	150# FLG	
Body Material	Cast Iron	Carbon Steel	Stainless Steel



Typical Applications

Exhaust Heads are used to separate entrained water from flash steam prior to being discharged or vented to the atmosphere. Typically used to eliminate water damage to rooftops and other equipment.

How It Works

Exhaust heads use the cyclonic effect where the velocity of the steam is used to generate centrifugal motion that whirls the steam and throws the entrained water to the wall of the unit where it is released to a drain below. Correct sizing of exhaust heads for steam service is important in order to assure the highest possible desiccation of the steam.

Sample Specification

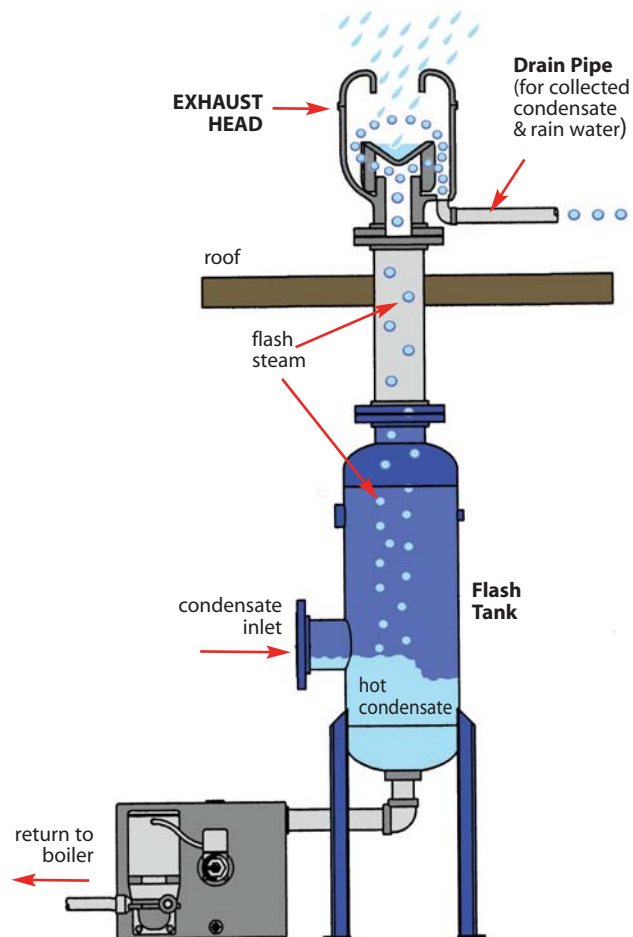
Exhaust Head shall be a cyclone design for vertical venting to atmosphere. Unit shall have a vortex containment plate feature to prevent re-entrainment of liquid. Exhaust Head to be constructed in cast iron, carbon steel or stainless steel and available in FNPT and flanged connections.

Installation

Exhaust Head must be installed at the top of a vertical vent pipe. Exercise standard piping and structural practices when installing this unit. Proper drainage of the exhaust head is essential for proper operation. Pipe the drain Connection of the exhaust head to a roof gutter or down spout.

Exhaust Head Use:

The EHC Series Exhaust Heads are used to separate entrained water from flash steam prior to being vented to the atmosphere. Typically used to eliminate water damage to rooftops and other equipment.



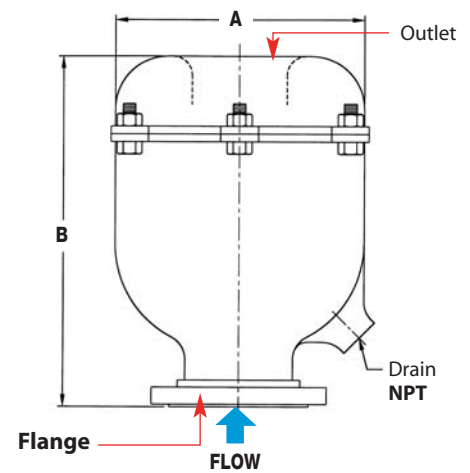
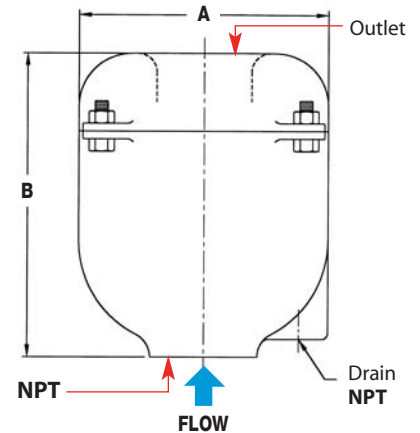
Cast Iron, Carbon Steel & Stainless Steel



EHC (Cast Iron)

EHC DIMENSIONS (Inches), CAPACITIES (lbs/hr)							
Inlet Size	Inlet Connection	Model Code (Cast Iron)	A	B	Drain NPT	Weight (lbs)	Capacity*
1"	NPT	EHC14-N	5 <sup>1</sup> / <sub>4</sub>	6 <sup>1</sup> / <sub>8</sub>	1/2	12	160
1 <sup>1</sup> / <sub>2</sub> "	NPT	EHC16-N	5 <sup>1</sup> / <sub>4</sub>	6 <sup>1</sup> / <sub>8</sub>	1/2	12	370
2"	NPT	EHC17-N	7 <sup>1</sup> / <sub>2</sub>	8 <sup>7</sup> / <sub>8</sub>	3/4	32	1,000
2 <sup>1</sup> / <sub>2</sub> "	NPT	EHC18-N	7 <sup>1</sup> / <sub>2</sub>	8 <sup>7</sup> / <sub>8</sub>	3/4	32	1,000
3"	NPT	EHC19-N	8 <sup>3</sup> / <sub>4</sub>	11 <sup>1</sup> / <sub>4</sub>	3/4	50	2,100
4"	NPT	EHC20-N	10	11 <sup>7</sup> / <sub>8</sub>	1	50	2,700
3"	125# FLG	EHC19-F125	8 <sup>3</sup> / <sub>4</sub>	15	3/4	60	2,700
4"	125# FLG	EHC20-F125	10	15	1	82	2,700
5"	125# FLG	EHC21-F125	13	14	1 <sup>1</sup> / <sub>2</sub>	90	4,000
6"	125# FLG	EHC22-F125	14 <sup>3</sup> / <sub>4</sub>	18 <sup>3</sup> / <sub>4</sub>	1 <sup>1</sup> / <sub>2</sub>	137	6,000
8"	125# FLG	EHC23-F125	18	20	2	170	10,500
10"	125# FLG	EHC24-F125	23	24	2	335	16,000

\* Capacity in pounds of exhaust steam per hour at atmospheric pressure of 14.7 PSIA.  
Note: For Stainless Steel versions replace EHF with EHFSS in model code. Example: EHFSS17-150



EHF (Carbon Steel) & EHFSS (Stainless Steel)

EHF & EHFSS DIMENSIONS (Inches) & CAPACITIES (lbs/hr)							
Inlet Size	Inlet Connection	Model Code (Carbon Steel)	A	B	Drain NPT	Weight (lbs)	Capacity*
2"	150# FLG	EHF17-F150	8 <sup>5</sup> / <sub>8</sub>	16	1	95	1,000
2 <sup>1</sup> / <sub>2</sub> "	150# FLG	EHF18-F150	8 <sup>5</sup> / <sub>8</sub>	16	1	110	1,000
3"	150# FLG	EHF19-F150	10 <sup>3</sup> / <sub>4</sub>	19	1 <sup>1</sup> / <sub>2</sub>	115	1,600
4"	150# FLG	EHF20-F150	14	24	1 <sup>1</sup> / <sub>2</sub>	125	2,700
5"	150# FLG	EHF21-F150	16	26	1 <sup>1</sup> / <sub>2</sub>	145	4,000
6"	150# FLG	EHF22-F150	18	30	1 <sup>1</sup> / <sub>2</sub>	177	6,000
8"	150# FLG	EHF23-F150	20	36	2	320	10,500
10"	150# FLG	EHF24-F150	24	42	2	340	16,000

\* Capacity in pounds of exhaust steam per hour at atmospheric pressure of 14.7 PSIA.

